

# Parts Diagrams ■

Uniframe® Tables

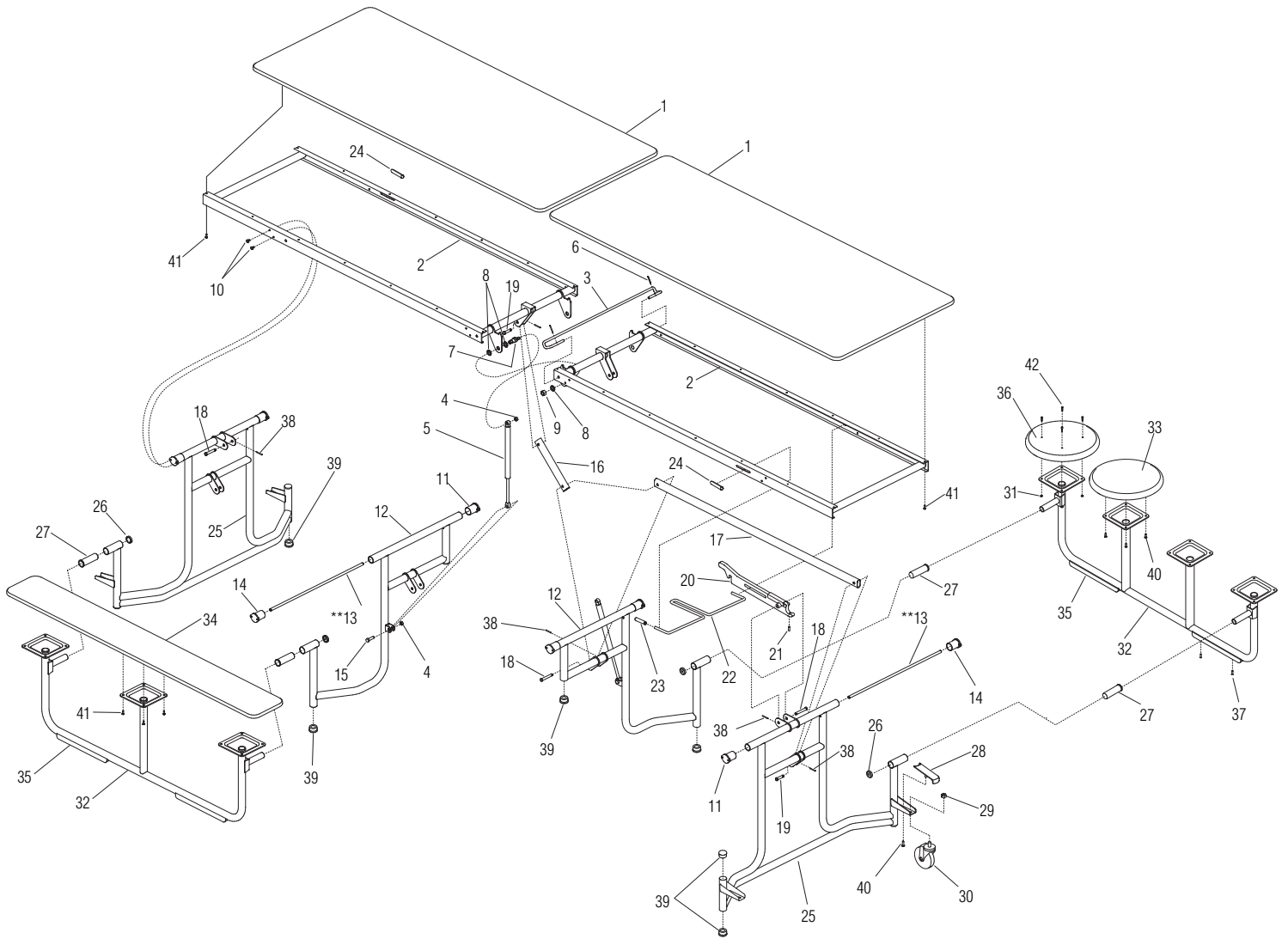
January 2010



# ■ Uniframe Tables - Parts Diagram

Rectangular Tables with Seats Wheelchair Accessible - WAUF 12

January 2010



# Uniframe Tables - Parts Diagram ■

## Rectangular Tables with Seats Wheelchair Accessible - WAUF 12

January 2010

When ordering specify laminate color and edge style.

“.XX” = Select Color

\_\_\_ = BL for painted black legs, or CH for chrome legs

\* = Configuration Number. Tops are configured items.

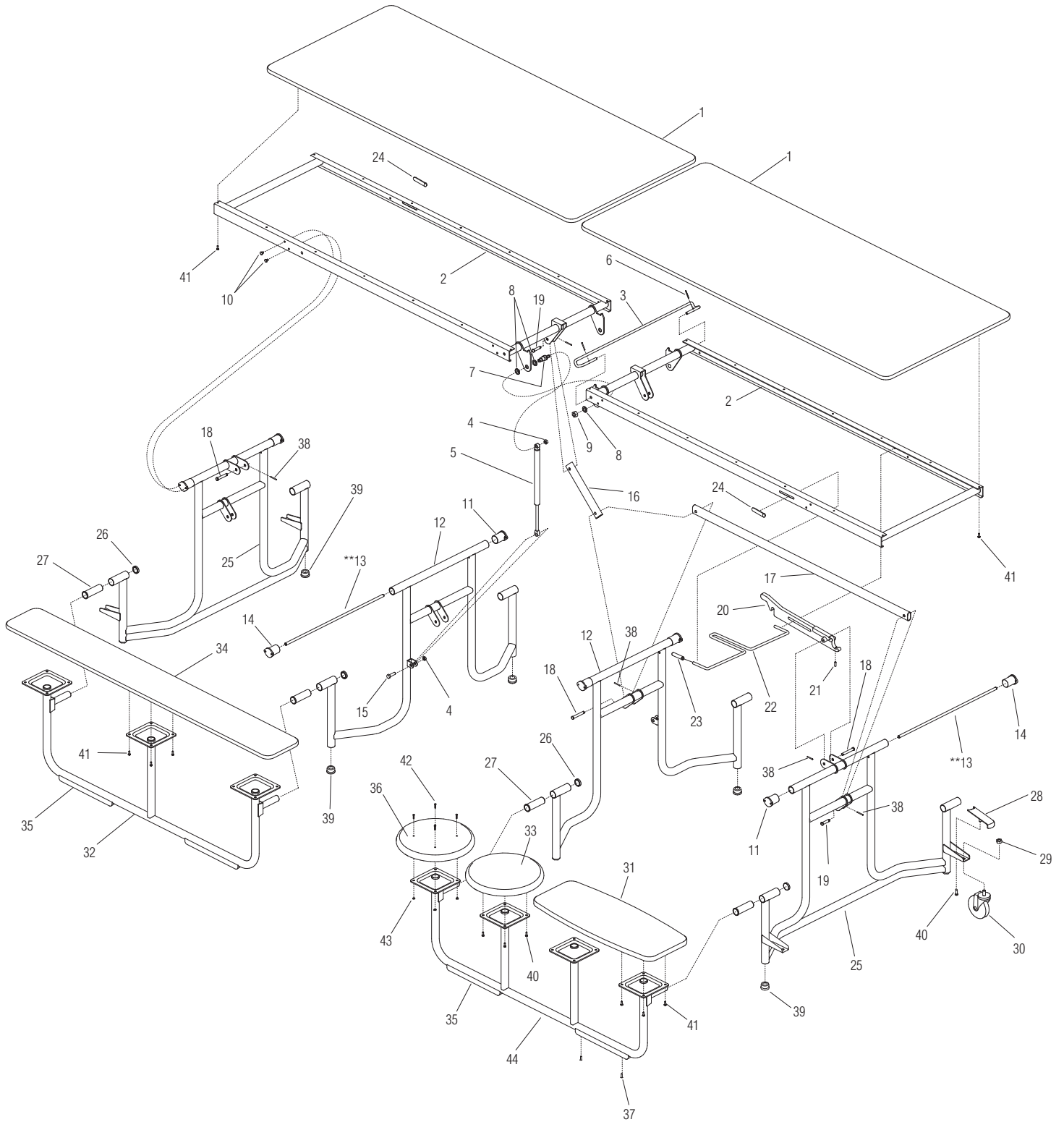
\*\* = WAUF12 (12' table) uses (4) Torsion Bars (1) in all support weldments

Item	Part Number	Item Description
1	UFT2/*	Table Top, 30 x 72" Bullnose
	UFT2/*	Table Top, 30 x 72" Perfect Edge
2	37.3307.12.BL	Apron Weldment, 12'
3	37.3337.CH	Down Lock
4	12.1153	Nut, Center Lock, 3/8"
5	37.3353	Pneumatic Cylinder 75# force
6	12.1943	Pin, 1/8 x 1 1/4" Roll
7	37.3360	Center Pivot
8	12.2700	Washer, Thrust
9	12.7000	Flange Lock Nut, 1/2"-13
10	12.0074.P	Screw, 1/4"-20 x 3/8" Thread Forming
11	37.3332.BL	Pivot Weldment
12	37.3320.31C.____	Support Weldment, 31", Center
13	37.3344	Torsion Bar
14	37.3331.BL	Torque Flange Weldment
15	12.1100	Screw, 3/8"-16 x 1 1/2" Hex Head Cap
16	37.3338.C.BL	Center Linkage
17	37.3338.12.O.BL	Outside Linkage, 12'
18	12.2703	Pin, 3/8 x 2 1/2" Clevis
19	12.2704	Pin, 3/8 x 1 1/2" Clevis
20	37.3340.BLX	Latch, with Catch
21	12.2713	Set Screw, 1/4"-20 x 1"
22	37.3404.CH	Latch Actuator Rod
23	37.3408	Actuator Rod End Cap
24	37.3405	Slot Plug
25	37.3320.310.____	Support Weldment, 31", Outside
26	10.1009	Dbl Clip Tube Closure
27	37.3336.BL	Bushing, Seat Pivot
28	37.3398.BL	Cover, Caster Bracket
29	12.2711	Nut, 7/16"-14 Center Lock
30	09.1022	4" Caster, 5/8" Stem
31	12.0023.TM	Hex Head Nut w/lock washer, #10-24 (hard plastic stool only)
32	37.3312.484.L____	Seat Support Weldment, 48", 4-Supports, Left
	37.3312.483.L____	Seat Support Weldment, 48", 3-Supports, Left
33	06.1089.XX	Poly Stool
34	UB12/*	Bench, 12' Table
35	37.3400	12" Glide
36	06.1005.MBEDR	Hard Plastic Stool, Beige #02
	06.1005.CBDR	Hard Plastic Stool, Blue #07
	06.1005.CNDR	Hard Plastic Stool, Navy #25
	06.1005.CLDR	Hard Plastic Stool, Light Grey #16
	06.1005.CDDR	Hard Plastic Stool, Charcoal #11
	06.1005.CRDR	Hard Plastic Stool, Cranberry #13
37	12.2709	Screw, 1/4"-20 x 1 1/2" Phillips Flat Head Tapping
38	12.1004.TM	Roll Pin, 5/32" x 1"
39	06.0416	Tube Plug, 1 1/4" dia. 14-20ga BL
40	12.1200	Screw, SMS #14 x 5/8" PPH B P (poly stool only)
41	12.0039	Screw, #10 x 3/4" PH DP Thread
42	12.1953	3/16" x 1" Carriage Head Bolt (hard plastic stool only)

# ■ Uniframe Tables - Parts Diagram

Rectangular Tables with Seats - UF

January 2010



# Uniframe Tables - Parts Diagram

Rectangular Tables with Seats - UF

January 2010

When ordering specify laminate color and edge style.

“.XX” = Select Color

\_\_\_ = BL for painted black legs, or CH for chrome legs

\* = Configuration Number. Tops are configured items.

\*\* = UF08 (8' table) uses (2) Torsion Bars located in the Outside Support Weldments.

UF10 (10' table) uses (3) Torsion Bars, (1) located in a Center and (2) Outer support weldments.

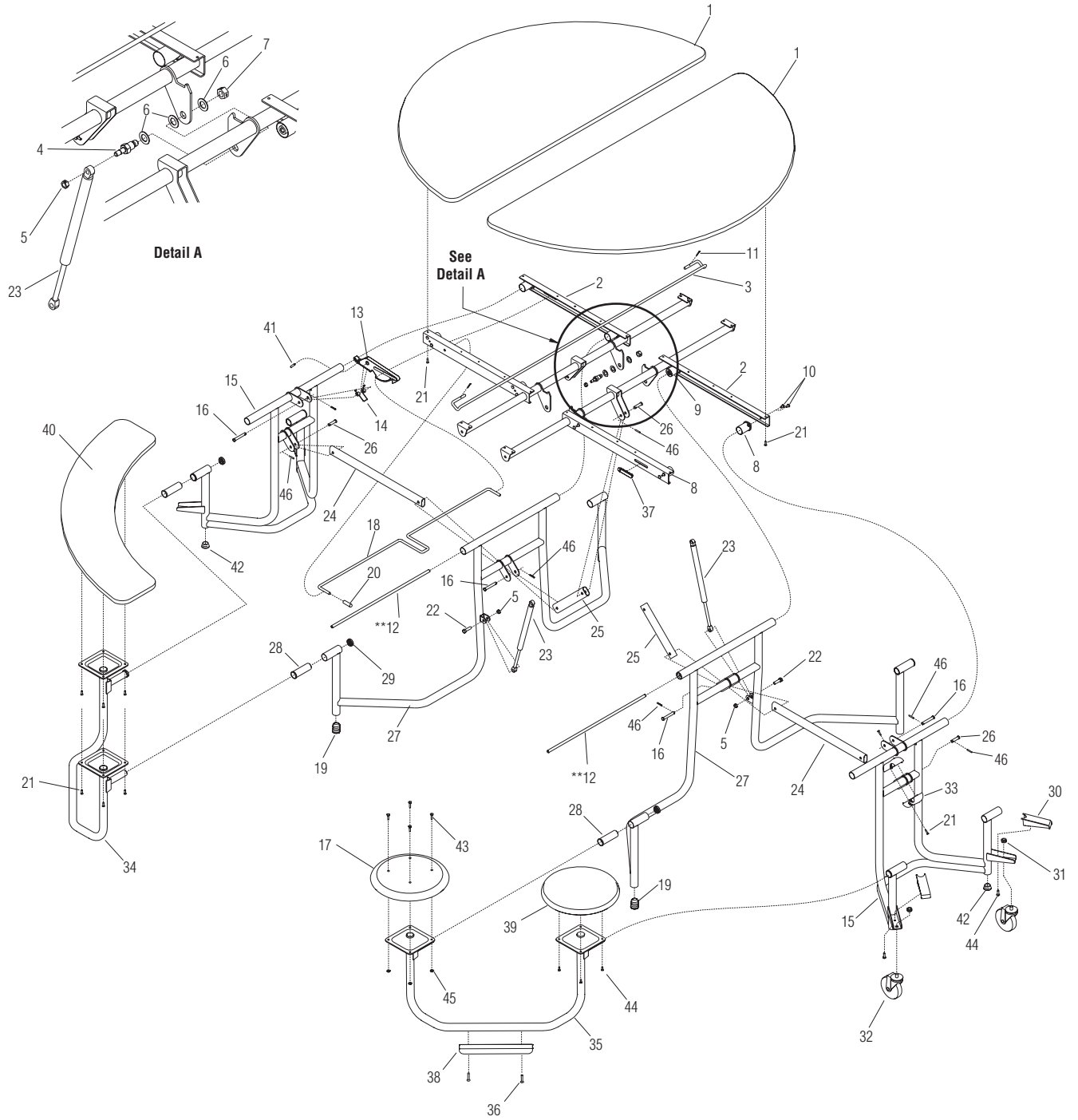
UF12 (12' table) uses (4) Torsion Bars (1) in all support weldments.

Item	Part Number	Item Description	Item	Part Number	Item Description
1	UFT8/*	Table Top, 30 x 48" Bullnose	33	06.1089.XX	Poly Stool
	UFT8/*	Table Top, 30 x 48" Perfect Edge	34	UB08/*	Bench, 8' Table
	UFT0/*	Table Top, 30 x 60" Bullnose		UB10/*	Bench, 10' table
	UFT0/*	Table Top, 30 x 60" Perfect Edge		UB12/*	Bench, 12' Table
	UFT2/*	Table Top, 30 x 72" Bullnose	35	37.3400	12" Glide
	UFT2/*	Table Top, 30 x 72" Perfect Edge	36	06.1005.MBEDR	Hard Plastic Stool, Beige #02
2	37.3307.12.BL	Apron Weldment, 12'		06.1005.CBDR	Hard Plastic Stool, Blue #07
	37.3307.10.BL	Apron Weldment, 10'		06.1005.CNDR	Hard Plastic Stool, Navy #25
	37.3307.8.BL	Apron Weldment, 8'		06.1005.CLDR	Hard Plastic Stool, Light Grey #16
3	37.3337.CH	Down Lock		06.1005.CDDR	Hard Plastic Stool, Charcoal #11
4	12.1153	Nut, Center Lock, 3/8"		06.1005.CRDR	Hard Plastic Stool, Cranberry #13
5	37.3351	Pneumatic Cylinder, 225# Force (UF12/8/CX)	37	12.2709	Screw, 1/4"-20 x 1 1/2" Phillips Flat Head Tapping
	37.3352	Pneumatic Cylinder, 202# Force (UF12/6/CX, UF12/8/PY, UF12/SB, UF12/BE)	38	12.1004.TM	Roll Pin, 5/32 x 1"
	37.3353	Pneumatic Cylinder, 75# Force (WAUF12, UF08)	39	06.0416	Tube Plug, 1 1/4" dia 14-20ga BL
	37.3354	Pneumatic Cylinder, 175# Force (UF10, UF12/6/PY)	40	12.1200	Screw, SMS 14 x 5/8" PPH B P (poly stool only)
6	12.1943	Roll Pin, 1/8 x 1 1/4"	41	12.0039	Screw, #10 x 3/4" PH DP Thread
7	37.3360	Center Pivot	42	12.1953	Carriage Head Bolt, 3/16 x 1" (hard plastic stool only)
8	12.2700	Washer, Thrust	43	12.0023.TM	Hex Head Nut w/lock washer, #10-24 (hard plastic stool only)
9	12.7000	Flange Lock Nut, 1/2-13	44	37.3312.484.R___	Seat Support Weldment, 48", 4-Supports, Right, UF12
10	12.0074.P	Screw, 1/4"-20 x 5/8" Thread Forming		37.3312.483.R___	Seat Support Weldment, 48", 3-Supports, Right, UF12
11	37.3332.BL	Pivot Weldment		37.3312.403.R___	Seat Support Weldment, 40", 3-Supports, Right, UF10
12	37.3320.27C. ___	Support Weldment, 27", Center		37.3312.302.R___	Seat Support Weldment, 30", 2-Supports, Right, UF08
	37.3320.29C. ___	Support Weldment, 29", Center			
**13	37.3344	Torsion Bar			
14	37.3331.BL	Torque Flange Weldment			
15	12.1100	Screw, 3/8"-16 x 1 1/2" Hex Head Cap			
16	37.3338.C.BL	Center Linkage			
17	37.3338.12.O.BL	Outside Linkage, 12'			
	37.3338.10.O.BL	Outside Linkage, 10'			
	37.3338.8.O.BL	Outside Linkage, 8'			
18	12.2703	Pin, 3/8 x 2 1/2" Clevis			
19	12.2704	Pin, 3/8 x 1 1/2" Clevis			
20	37.3340.BLX	Latch, with Catch			
21	12.2713	Set Screw, 1/4"-20 x 1"			
22	37.3404.CH	Latch Actuator Rod			
23	37.3408	Actuator Rod End Cap			
24	37.3405	Slot Plug			
25	37.3320.27O. ___	Support Weldment, 27", Outside			
	37.3320.29O. ___	Support Weldment, 29", Outside			
26	10.1009	Dbl Clip Tube Closure			
27	37.3336.BL	Bushing, Seat Pivot			
28	37.3398.BL	Cover, Caster Bracket			
29	12.2711	Nut, 7/16"-14 Center Lock			
30	09.1022	4" Caster 5/8" Stem			
31	US12/*	Split Bench, Bullnose			
	US12/*	Split Bench, Perfect Edge			
32	37.3312.484.L___	Seat Support Weldment, 48", 4-Supports, Left, UF12			
	37.3312.483.L___	Seat Support Weldment, 48", 3-Supports, Left, UF12			
	37.3312.403.L___	Seat Support Weldment, 40", 3-Supports, Left, UF10			
	37.3312.302.L___	Seat Support Weldment, 30", 2-Supports, Left, UF08			

# Uniframe Tables - Parts Diagram

Round Table with Seating - UFRD 5/8, UFRD 5/SB

January 2010



# Uniframe Tables - Parts Diagram ■

## Round Table with Seats - UFRD 5/8, UFRD 5/SB

January 2010

When ordering specify laminate color and edge style.

“.XX” = Select Color

\_\_\_ = BL for painted black legs, or CH for chrome legs

\* = Configuration Number. Tops are configured items.

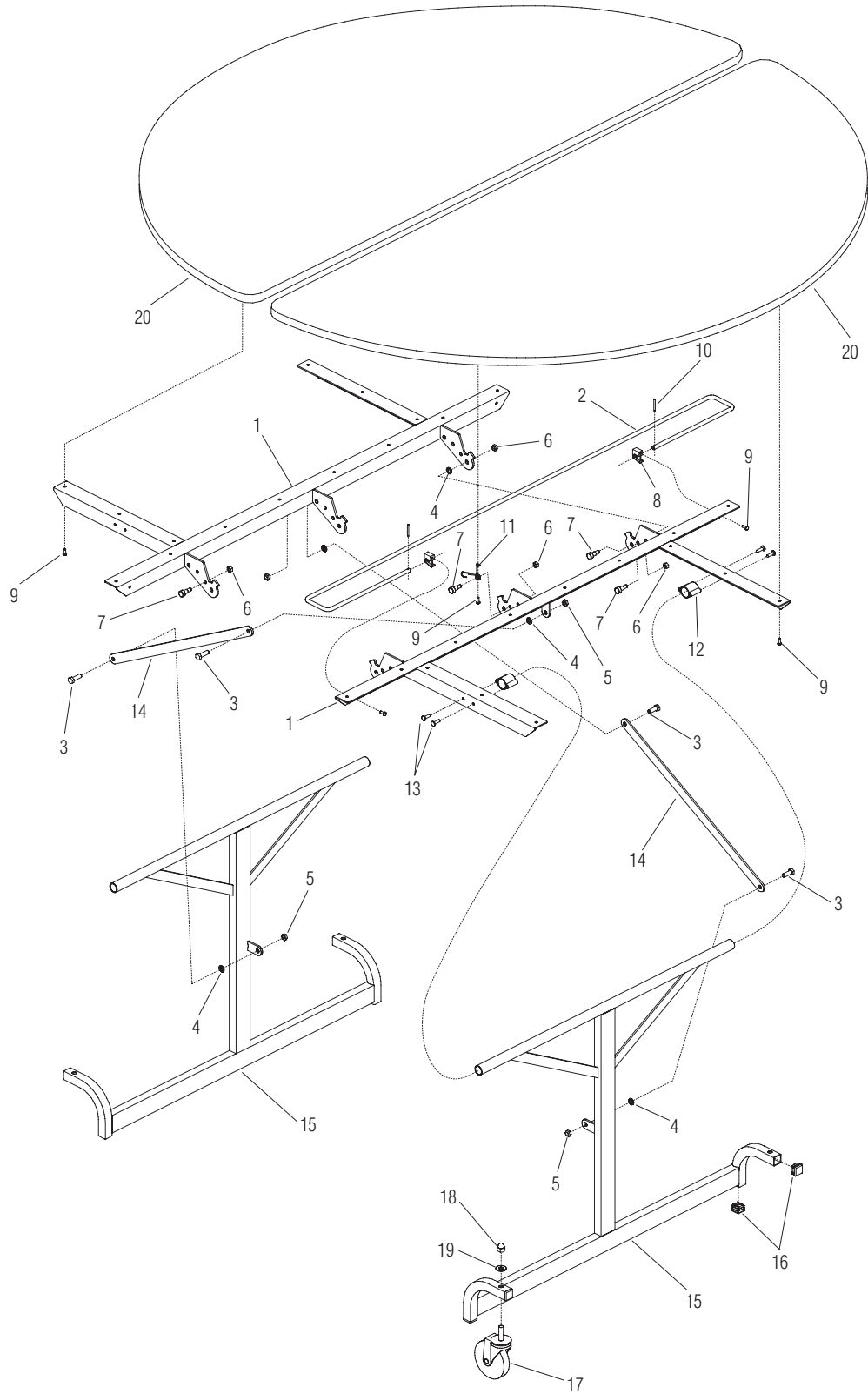
\*\* = (2) Torsion bars per table located in center leg weldments.

Item	Part Number	Item Description
1	URD5/*	Table Top, 5' Round, Bullnose
	URD5/*	Table Top, 5' Round, Perfect Edge
2	37.3383.BL	Apron Weldment
3	37.3391.CH	Down Lock
4	37.3360	Center Pivot
5	12.1153	Nut, $\frac{3}{8}$ " Center Lock
6	12.2700	Washer, Thrust
7	12.7000	Flange Lock Nut, $\frac{1}{2}$ " - 13
8	37.3332.BL	Pivot Hub Weldment
9	37.3331.BL	Torque Flange Weldment
10	12.0074.P	Screw, $\frac{1}{4}$ -20 x $\frac{3}{8}$ " Thread Forming
11	12.1943	Roll Pin, $\frac{1}{8}$ " x $1\frac{1}{4}$ "
**12	37.3344	Torsion Bar
13	37.3388	Latch, Spider
14	37.3346	Latch Spring
15	37.3376.27.___	End Leg Weldment, 27"
	37.3376.29.___	End Leg Weldment, 29"
16	12.2703	Clevis Pin, $\frac{3}{8}$ x $2\frac{1}{2}$ "
17	06.1005.MBEDR	Hard Plastic Stool, Beige #02
	06.1005.CBDR	Hard Plastic Stool, Blue #07
	06.1005.CNDR	Hard Plastic Stool, Navy #25
	06.1005.CLDR	Hard Plastic Stool, Light Grey #16
	06.1005.CDDR	Hard Plastic Stool, Charcoal #11
	06.1005.CRDR	Hard Plastic Stool, Cranberry #13
18	37.3403.CH	Latch Actuator Rod
19	37.3401	Center Glide UFRD
20	37.3408	End Cap
21	12.0039	Screw, #10 x $\frac{3}{4}$ " PH DP thread
22	12.1100	Bolt, $\frac{3}{8}$ x $1\frac{1}{4}$ " Hex Head
23	37.3356	Pneumatic Cylinder, 40# force
24	37.3338.S.BL	Spider Linkage
25	37.3338.C.BL	Linkage
26	12.2704	Pin, $\frac{3}{8}$ x $1\frac{1}{2}$ " Clevis
27	37.3375.27.___	Center Leg Weldment, 27"
	37.3375.29.___	Center Leg Weldment, 29"
28	37.3336.BL	Pivot Bushing, Seat
29	10.1009	Double Clip Tube Closure (chrome supports)
30	37.3398.BL	Cover, Caster Bracket
31	12.2711	Nut, $\frac{7}{16}$ - 14 Center Lock
32	09.1022	4" Swivel Caster, $\frac{5}{8}$ " Stem
33	37.3392	Cover, Knee Protection
34	37.3381.L.___	Seat Support Weldment, Left-hand
35	37.3381.R.___	Seat Support Weldment, Right-hand
36	12.2709	Screw, $\frac{1}{2}$ -20 x 1.5" Thread Cutting
37	37.3405	Slot Plug
38	37.3400	12" Glide
39	06.1089.XX	Stool, Poly
40	SBRD/*	Split Bench For Spider, Bullnose Edge
	SBRD/*	Split Bench For Spider, Perfect Edge
41	12.2713	Set Screw, $\frac{1}{4}$ -20 x 1"
42	06.0416	Tube Plug, $1\frac{1}{4}$ " dia, 14-20ga BL
43	12.1953	Carriage Bolt, $\frac{3}{16}$ x 1" (hard plastic stool only)
44	12.1200	Screw, SMS #14 x $\frac{3}{8}$ " PPH (poly stool only)
45	12.0023.TM	Hex Nut w/washer, #10-24 (hard plastic stool only)
46	12.1004.TM	Roll Pin, $\frac{5}{32}$ " x 1"

# ■ Uniframe Tables - Parts Diagram

Shaped Tables without Seats - UFRD

January 2010





When ordering specify laminate color and edge style.

\* = Configuration Number. Tops are configured items.

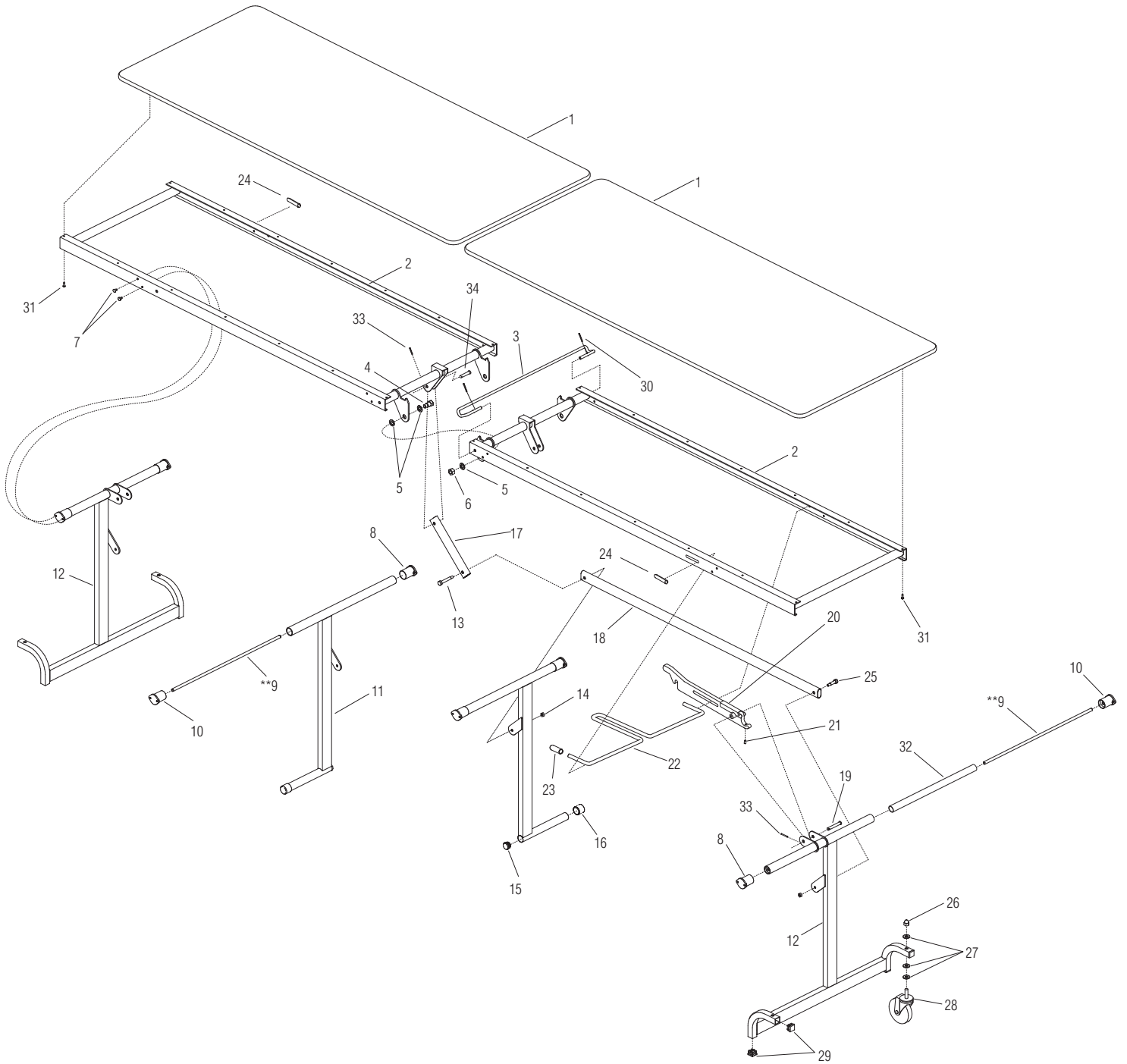
\_\_\_ = BL for painted black legs, or CH for chrome legs

Item	Part Number	Item Description
1	37.3130.48.BL 37.3130.60.BL	Apron Weldment, 48" Tables Apron Weldment, 60" and Larger Tables
2	45.1580.1.CH 45.1580.2.CH 45.1580.3.CH	Down Lock, 48" Tables Down Lock, 60" Tables Down Lock, 72" Tables
3	12.1027.TM	Bolt, $\frac{3}{8}$ "-16 x $\frac{3}{4}$ " HHCS
4	12.1151	Thrust Washer, $\frac{3}{8}$ "
5	12.1153	Nut, $\frac{3}{8}$ " Center Lock
6	12.1154	Nut, $\frac{3}{16}$ "-18 Flanged Center Lock
7	12.1150	Bolt, $\frac{3}{8}$ " x $\frac{1}{2}$ " Socket Head Shoulder
8	06.0750	Down Lock Pivot
9	12.0039	Screw, #10 x $\frac{3}{4}$ " Ph Dp Thread
10	12.1943	Roll Pin, $\frac{1}{8}$ " x $1\frac{1}{4}$ "
11	45.1551	Spring, $\frac{3}{8}$ " RF Downlock
12	37.3107	Leg Pivot, Extruded Aluminum
13	12.2712	Taptite Screw, #12-24 x $\frac{1}{2}$ ", PPH
14	37.3102.BL	Fold Linkage
15	37.3150.27.___ 37.3150.29.___ 37.3150.31.___ 37.3150.42.___ 37.3152.27.___ 37.3152.29.___ 37.3152.31.___ 37.3152.42.___	Narrow T-Leg Weldment, 27" (48" tables) Narrow T-Leg Weldment, 29" (48" tables) Narrow T-Leg Weldment, 31" (48" tables) Narrow T-Leg Weldment, 42" (48" tables) Wide T-Leg Weldment, 27" (60" and larger tables) Wide T-Leg Weldment, 29" (60" and larger tables) Wide T-Leg Weldment, 31" (60" and larger tables) Wide T-Leg Weldment, 42" (60" and larger tables)
16	06.0434	Plug, 1" Square Tube
17	09.1040	Caster, 4" Swivel $1\frac{1}{2}$ " Stem
18	12.1945	Capnut, $\frac{7}{16}$ "-14
19	12.0185	Washer, Flat
20	URD4/* URD4/* URD5/* URD5/* URD6/* URD6/* USQ4/* USQ4/* UHX4/* UHX4/* UOC5/* UOC5/* OV66/* OV66/* OV72/* OV72/*	Table Top, 4' Round, Bullnose Table Top, 4' Round, Perfect Edge Table Top, 5' Round, Bullnose Table Top, 5' Round, Perfect Edge Table Top, 6' Round, Bullnose Table Top, 6' Round, Perfect Edge Table Top, 4' Square, Bullnose Table Top, 4' Square, Perfect Edge Table Top, 4' Hexagonal, Bullnose Table Top, 4' Hexagonal, Perfect Edge Table Top, 5' Octagonal, Bullnose Table Top, 5' Octagonal, Perfect Edge Table Top, 60 x 66" Oval, Bullnose Table Top, 60 x 66" Oval, Perfect Edge Table Top, 60 x 72" Oval, Bullnose Table Top, 60 x 72" Oval, Perfect Edge

# ■ Uniframe Tables - Parts Diagram

Rectangular Table without Seats - UFRT

January 2010



# Uniframe Tables - Parts Diagram ■

## Rectangular Table without Seats - UFRT & WAUFRT

January 2010

When ordering specify laminate color and edge style.

“.XX”= Select Color

\_\_\_ = BL for painted black legs, or CH for chrome legs

\* = Configuration Number. Tops are configured items.

\*\* = UFRT08 uses (2) Torsion Bars located in the Outside Support Weldments.

UFRT10 uses (3) Torsion Bars, (1) located in a Center and (2) Outer support weldments.

UFRT12 uses (4) Torsion Bars (1) in all support weldments.

Item	Part Number	Item Description
1	UFT8/*	Table Top, 30 x 48" Bullnose
	UFT8/*	Table Top, 30 x 48" Perfect Edge
	UFT0/*	Table Top, 30 x 60" Bullnose
	UFT0/*	Table Top, 30 x 60" Perfect Edge
	UFT2/*	Table Top, 30 x 72" Bullnose
	UFT2/*	Table Top, 30 x 72" Perfect Edge
2	37.3307.12.BL	Apron Weldment, 12'
	37.3307.10.BL	Apron Weldment, 10'
	37.3307.8.BL	Apron Weldment, 8'
3	37.3337.CH	Down Lock
4	37.3368	Center Pivot, w/o $\frac{3}{8}$ x 1" Stud
5	12.2700	Washer, Thrust
6	12.7000	Flange Lock Nut, $\frac{1}{2}$ -13
7	12.0074.P	Screw, $\frac{1}{4}$ -20 x $\frac{5}{8}$ " Thread Forming
8	37.3332.BL	Pivot Weldment
** 9	37.3344	Torsion Bar
10	37.3331.BL	Torque Flange Weldment
11	37.3300.27. ___	Support Weldment, 27, Center, UFRT
	37.3300.29. ___	Support Weldment, 29, Center, UFRT
	37.3300.31. ___	Support Weldment, 31, Center, WAUFRT
12	37.3301.27. ___	Support Weldment, 27, Outside, UFRT
	37.3301.29. ___	Support Weldment, 29, Outside, UFRT
	37.3301.31. ___	Support Weldment, 31, Outside, WAUFRT
13	12.2702	Bolt, $\frac{3}{8}$ x 2" Socket Head Shoulder
14	12.1154	Nut, $\frac{5}{16}$ -18 Flanged Center Lock
15	53.6560.BL	Plug, 1" Blk
16	06.0018.TM	Cap Glide
17	37.3338.C.BL	Center Linkage
18	37.3338.12.O.BL	Outside Linkage, 12', UFRT 12
	37.3338.10.O.BL	Outside Linkage, 10', UFRT 10
	37.3338.8.O.BL	Outside Linkage, 8', UFRT 08
19	12.2703	Clevis Pin, $\frac{3}{8}$ x 2 $\frac{1}{2}$ "
20	37.3366.BLX	Latch, with Catch, UFRT Models
21	12.2713	Set Screw, $\frac{1}{4}$ -20 x 1"
22	37.3404.CH	Latch Actuator Rod
23	37.3408	End Cap
24	37.3405	Slot Plug
25	12.2701	Bolt, $\frac{3}{8}$ x 1" Socket Head Shoulder
26	12.1945	Capnut, $\frac{7}{16}$ -14
27	12.0185	Washer, Flat
28	09.1040	4" Swivel Caster, 1 $\frac{1}{2}$ " Stem
29	06.0434	Plug, 1" Square Poly
30	12.1943	Roll Pin, $\frac{1}{8}$ x 1 $\frac{1}{4}$ "
31	12.0039	Screw, #10 x $\frac{3}{4}$ " PH DP thread
32	37.3399	Inner Tube, 1 x 20 $\frac{1}{2}$ " (used in outside supports only)
33	12.1004.TM	Roll Pin, $\frac{5}{32}$ x 1"
34	12.2704	Clevis Pin, $\frac{3}{8}$ x 1 $\frac{1}{2}$ "

KI  
1330 Bellevue Street  
P.O. Box 8100  
Green Bay, Wisconsin 54308-8100  
1-800-424-2432  
www.ki.com

KI is a registered trademark  
of Krueger International, Inc.

© 2010 KI  
All Rights Reserved.  
Litho in USA.  
Code KI-60763R3/HT/PDF/0110

