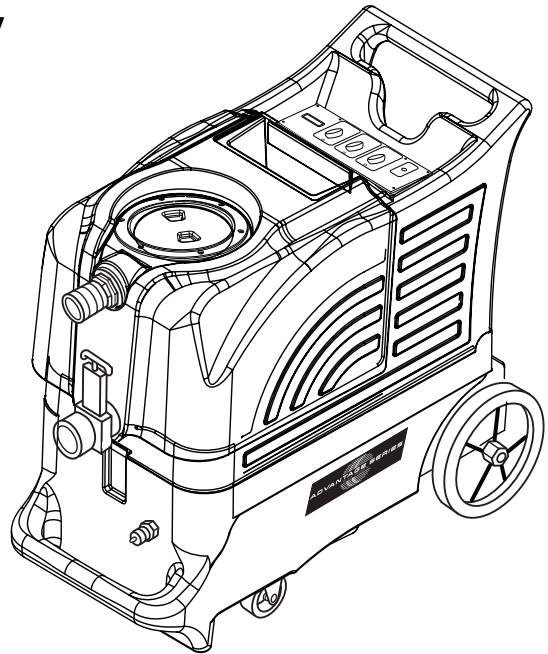




ADVANTAGE-200H EXTRACTOR 120V

INFORMATION & OPERATING INSTRUCTIONS



CAUTION: DO NOT OPERATE MACHINE UNTIL YOU HAVE READ ALL SECTIONS OF THIS INSTRUCTION MANUAL



IMPROPER USE OF THE MACHINE WILL VOID THE WARRANTY

1. Always use a defoamer when foaming occurs to prevent vacuum motor damage.
2. Connect the machine to a properly grounded outlet, only.
3. Keep machine from rain and snow, extremes in temperatures, and store in a heated location. Use the machine indoors. Do not use outdoors.
4. Use approved chemicals only. NO SOLVENTS.
5. Wear gloves or use rags when removing quick disconnects to prevent burns.
6. Never use water above 130° F/54° C in the solution tank.

IMPORTANT SAFETY INSTRUCTIONS

This machine is only suitable for commercial use, for example in hotels, schools, hospitals, factories, shops and offices other than normal residential housekeeping purposes.

When using any electrical appliance, basic precautions should always be followed, including the following:

NOTE: Read all instructions before using this machine.

WARNING!

To reduce the risk of fire, electric shock, or injury:

- Do not leave the machine unattended when it is plugged in. Unplug the unit from the outlet when not in use and before servicing.
- To avoid electric shock, do not expose to rain or snow. Use and store indoors.
- Do not allow to be used as a toy. Close attention is necessary when used near children.
- Use only as described in this manual. Use only the manufacturer's recommended attachments.
- Never add water over 130° F/54° C to the solution tank.
- Do not use with damaged cord or plug. If the machine is not working as it should, has been dropped, damaged, left outdoors or dropped into water, return it to a service center.
- Do not pull by the cord, use the cord as a handle, close a door on the cord, or pull the cord around sharp edges or corners. Do not run the machine over the cord. Keep the cord away from heated surfaces. To unplug, grasp the plug, not the cord.
- Do not handle the plug, the cord or the machine with wet hands.
- Extension cords must be 12/3 and no longer than 50 feet. Replace the cord or unplug immediately if the ground prong becomes damaged.
- Do not put any object into openings. Do not use with any opening blocked; keep free of dust, lint, hair, and anything that may reduce air flow.
- Keep loose clothing, hair, fingers, and all parts of body away from openings and moving parts.
- Do not pick up anything that is burning or smoking, such as cigarettes, matches, or hot ashes, or any health endangering dusts. Do not use to pick up flammable or combustible liquids such as gasoline or use in areas where they may be present.
- Turn off all controls before unplugging.
- Use extra care when cleaning on stairs.
- Connect to a properly grounded outlet only.
- Liquid ejected at the spray nozzle could be dangerous as a result of its temperature, pressure, or chemical content.

INSPECTION:

Carefully unpack and inspect your ADVANTAGE-200H for shipping damage. Each machine is tested and inspected before shipping. Any shipping damage incurred is the responsibility of the carrier. You should notify the carrier immediately if you notice damage to the box or to the machine or parts.

CLEANING SOLUTIONS:

We recommend liquid cleaning chemicals. Powder chemicals may be used, but unless mixed very thoroughly they could cause a build-up in the pump, lines, heat exchanger and/or quick disconnects. Any problem caused by a chemical build-up is not covered by warranty. Use a neutral cleaner with a pH between 5 and 10 to avoid premature wear of the pump, seals, and/or other components.

MAINTENANCE:

For optimum performance flush the machine with clear water at the end of each working day. Once a month, minimum, run a flushing compound through the machine to break up any mineral or chemical build-up that may have formed. The vacuum motor and the pump do not require any scheduled maintenance; however, the motor may require replacement brushes after 1000 - 1500 hours. Clean the body with an all-purpose detergent, and protect it with an automobile interior polish. Lubricate the wheels, castors, and quick disconnects with an all purpose silicone spray.

PARTS AND SERVICE:

Repairs, when required, should be performed by your authorized distributor who maintains an inventory of original replacement parts and accessories. Call the distributor from whom you purchased this machine if you need parts and service. Be sure to specify the machine model. Have your serial number handy.

Serial Number: _____

Model: ADVANTAGE-200H

Purchase Date: _____

Write the name and phone number of your distributor:

(and be sure to register your warranty: go on-line to www.usproducts.com)

SWITCH PLATE

MODEL (1):

This identifies the model of your Advantage machine.

VACUUM SWITCH (2):

This push-button switch turns on the vacuum. The switch will illuminate when it is on.

PUMP SWITCH (3):

The pump switch will illuminate when it is activated, and it will turn on the pump.

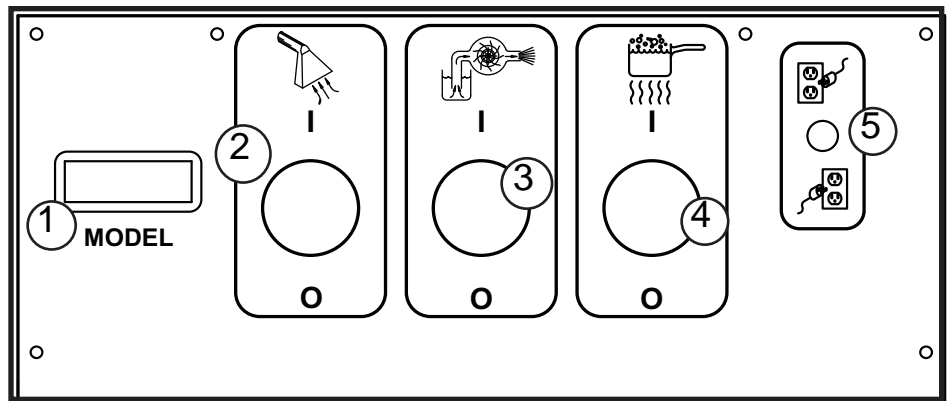
HEAT SWITCH (4):

The heat switch will illuminate when it is activated and will turn on the heater. **NOTE:** if the green, two-circuit indicator light is not turned on, you may have both power cords on the same circuit and this can trip the circuit breaker in the wall.

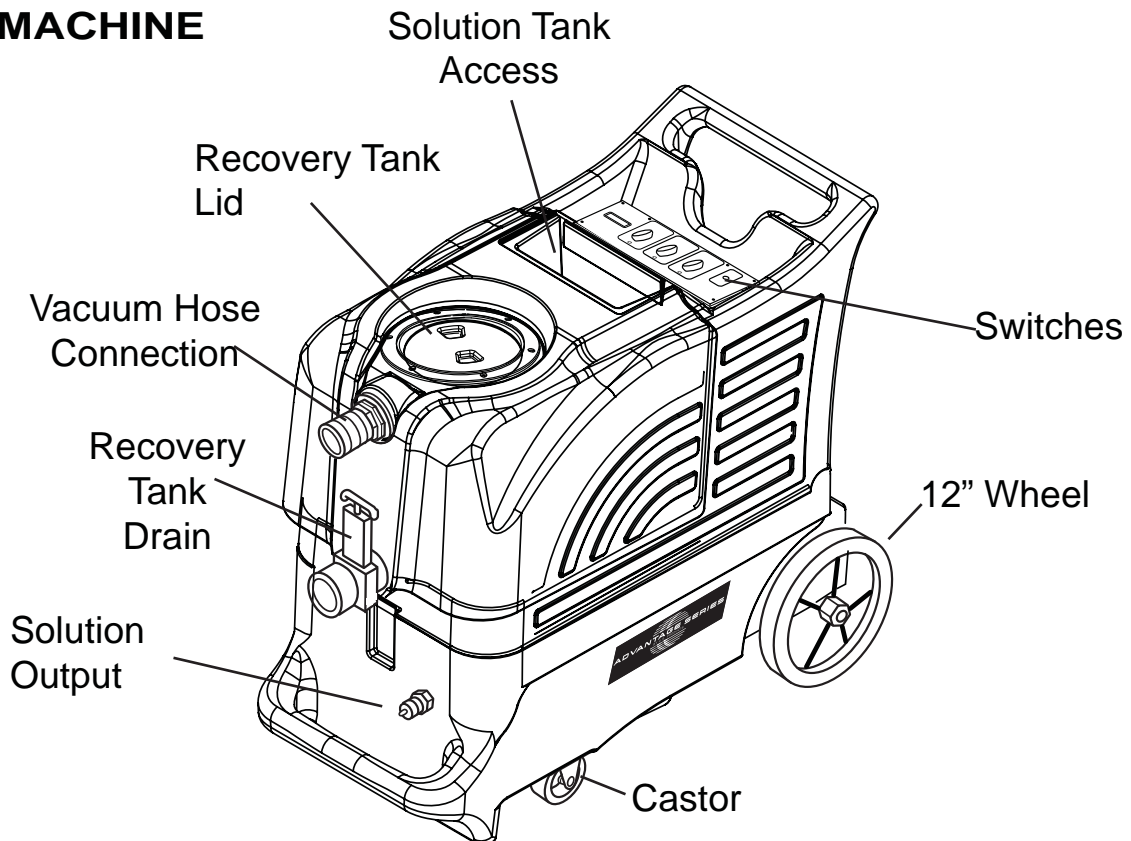
GREEN, TWO CIRCUIT INDICATOR (5):

This light will automatically turn on when you have plugged the two power cords into separate circuits. If this light does not turn on, try other outlets with one of the cords until the light does turn on.

NOTE: all systems in the machine will operate if this light does not turn on, but you may trip a circuit breaker in the wall.



YOUR MACHINE



SET-UP & OPERATION:

1. Inspect the machine, hoses, and cleaning tools for cleanliness and completeness.
2. Screw the lid on the recovery tank. Close the drain gate.
3. Fill the holding tank with clear water.
NOTE: although this machine is designed to supply instant hot water, the addition of warm water to the solution tank would increase heater efficiency. Never use water above 130° F/54° C in the solution tank.
4. Turn off all the switches. Plug the power cords into properly grounded outlets. Do not connect both cords to the same outlet; the green, circuit locator light (5) on the switch plate should light up. If the locator light does not come on, try different outlets until it does.
5. Connect the priming hose to the machine, and position the open end of the hose over the solution tank. Turn the pump ON (3) to prime the air out of the pump. When the water is clear (no air in it) turn the pump off, and remove the priming hose. **NOTE:** if priming is difficult, place the open end of the priming hose into the Vacuum inlet hose barb, and turn the vacuum on. Use your hand to block the open area in the hose barb. This will allow the pump and the vacuum to work together to get the water moving. Priming may take 20 - 60 seconds, and the solution tank should be full.
Once the pump has been primed, turn off the motor(s) off. Remove priming hose.
6. Turn on the Heat switch (4), and wait two minutes for the heat exchanger to reach temperature.
7. Pre-spray with the detergent of your choice. If you choose to add a detergent to the solution tank, be sure to mix well, and always follow the use & dilution instructions on the chemical label. Use a chemical with a pH between 5 and 10.
8. Attach the spray hose to the solution quick disconnect and the vacuum hose to the hose barb on the recovery tank. Attach the other ends of the hoses to the cleaning tool.
9. Turn on the vacuum (2).
10. Turn the pump ON and begin cleaning.
11. Use defoamer any time foaming occurs to prevent damage to the motor or other components.
NOTE: foam will not lift the ball float.
12. Monitor the water level in the solution tank. Do not let the pump run dry.
13. When the solution tank gets low, turn off the pump and the vacuum, fill the solution tank, empty and clean the recovery tank.
14. When finished with the job, remove any unused solution from the solution tank, and run a few gallons of clean water through the system. Drain the recovery tank by opening the drain gate over a drain or a bucket. Disconnect the hoses from the cleaning tool.

NOTE: if the green, circuit locator light does not illuminate when the cords are plugged in, then both cords are on the same circuit. Try other outlets with one of the cords until you get the locator light to come on. **NOTE:** if the heat switch is turned on when both cords are on the same circuit, the breaker in the wall may trip.

AUTO VACUUM SHUTOFF:

When the recovery tank is full, the ball float will shut-off the suction to prevent the machine from overflowing.

NOTE: the float may not work if there is foam in the tank. Always use defoamer to prevent overflow.

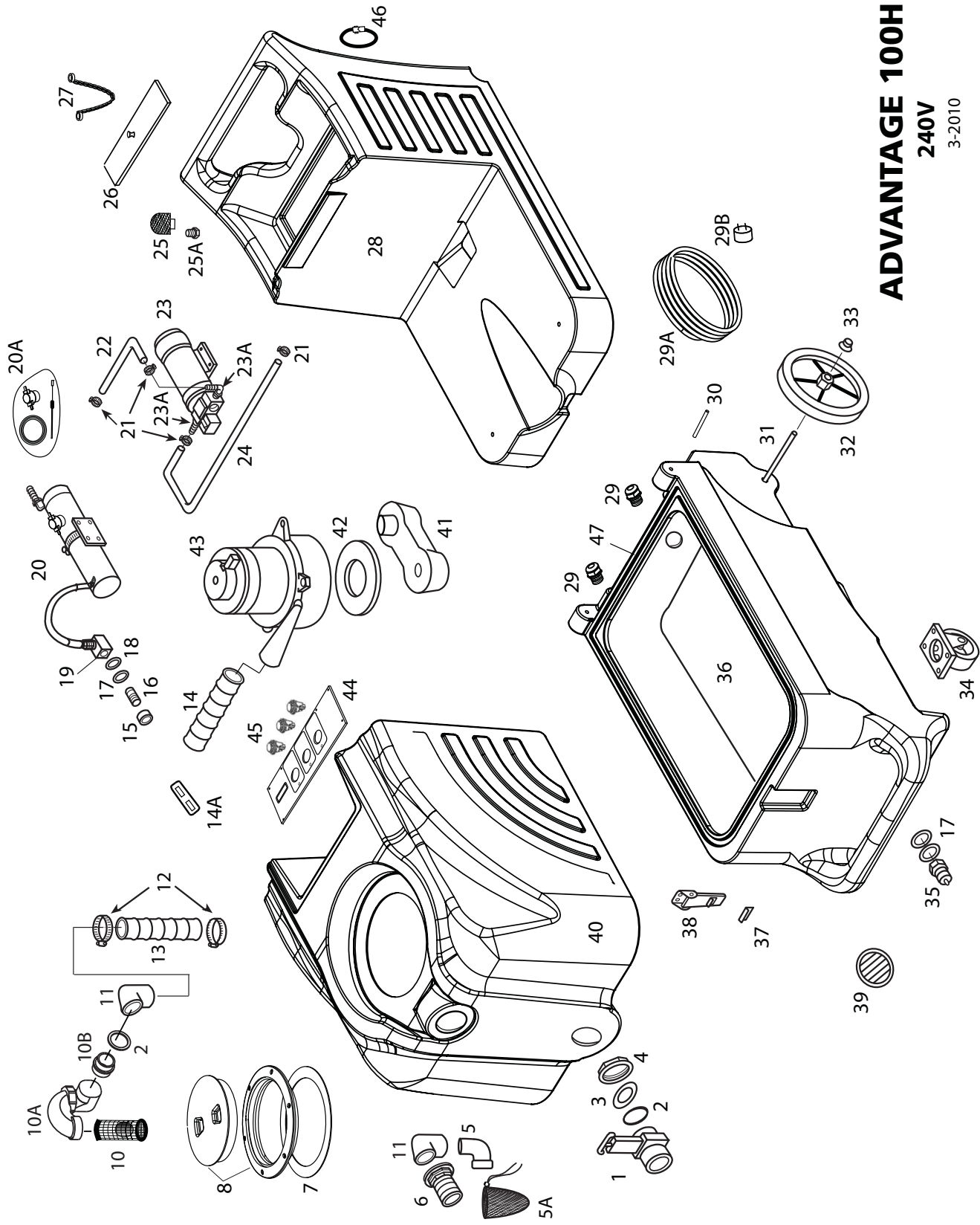


CAUTION: Always make sure the float cage is clean and the ball can travel freely before turning on the machine.

ADVANTAGE 100H

240V

3-2010



ADVANTAGE-200H

PART LIST

120V

<u>ITEM</u>	<u>PART No</u>	<u>DESCRIPTION</u>	<u>ITEM</u>	<u>PART No</u>	<u>DESCRIPTION</u>
1	903	Drain Gate	29	207A	Filter, pump inlet
2	187B	Gasket	29A	92B	Nipple
3	187	O-ring	32	2175	Lid, Solution tank
4	185	Nut, 1-1/2"	32A	805	Chain, 8"
6	907	Hose Barb, vacuum inlet	33	TKC-6	Solution tank
7	1074	Gasket	34	946	Hose, pump inlet, 1/2" ID X 15"
8	2086A	Lid with Ring, 6"	35	925	Hose, pump bypass, 3/8" ID X 18"
10	929B	Ball Float, vac shut-off	36	408G	Vacuum, 3-stage
10A	1154A	Adapter, ABS trap	37	2013	Gasket, vacuum
10B	1154	Adapter, ABS	38	MA-6	Manifold, vacuum
11	922	Elbow, PVC, fpt	39	230	Retainer, cord pigtail
12	156	Hose Clamp	40	2155	Pigtail, power cord
13	430	Hose, vacuum, 2" ID X 27"	40A	2154	Power cord, 25 ft
14	430A	Hose, vacuum, 2" ID X 14.5"	41	801	Hinge pin
14A	4404C	Bar, vacuum hose hold-down	42	910-18.63	Axle rod, 18.63"
15	2167+2167-2C	Switch plate, Advantage 200	43	2092	Wheel, 12 inch
16	1623R	Switch, push-button, ON/OFF	44	27A	Axle cap
17	227	Green light	45	BMPE-1	Base
18	116A	Bushing, fiber, heat resistant	46	905	Castor
19	92A	Nipple, 1/4 mpt, S/S	47	908	Latch
20	115	Washer, fiber, heat resistant	48	909A	Catch, for latch
21	31	Washer, brass	49	459	Louver, 2-1/2"
22	FP610	Heat exchanger, complete	50	45	Quick disconnect
22A	FP256	Heat Repair kit	51	SYP1	Priming hose
23	1284	Hose, pulsation dampening	52	VT-29	Recovery tank
23A	1424	Hose, pump to regulator	53	2164	Pressure gauge
24	960E	Pressure regulator valve	53A	219	Quick disconnect
26	960C	Pump head, 200 psi	54	FP228A	Gasket, around top of base, 78.5
26A	960D	Motor, pump drive	55	1603	Strap, cord wrap
27	1284	Hose, pump to heater	56	1140	Elbow
28	166	Hose clamp	57	FP619	Pre-filter bag with cord lock

Miscellaneous parts

960A	Pump rebuild kit, valves and O-rings
281	Pump rebuild kit, plunger and seals
960F	Rebuild kit for pressure regulator
960B	Cam & bearing

ADVANTAGE-200H

TROUBLE SHOOTING:

<u>IF THIS OCCURS</u>	<u>CHECK THIS</u>
NO SPRAY	Solution tank is empty, or filter is plugged up. Clogged spray tip. Pump not running. Valve on wand not operating. Solution hose not completely connected to hose or to machine.
PUMP DOES NOT RUN	This pump motor runs on AC voltage, so it should start running as soon as you turn on the switch. If the pump motor does not start running, check the wiring to the switch and to the motor. Check the switch to see if it is 'open.'
LOW SUCTION	Debris is plugging cleaning tool or vacuum hose. Drain gate is not completely closed, or seals are damaged. Vacuum lid is not closed completely or is damaged. Ball in the float is blocking air flow. Turn off the vacuum so the ball will drop down.
NO SUCTION	No power to motor. Does the switch light up? If not, the switch may be bad or there may be no power getting to the switch. Check wiring connections. Test the switch. Test the vacuum motor.
LOW HEAT	Spraying for too long will significantly drop the heat. Try spraying for 8 - 10 seconds, or about three strokes. Heat exchanger needs to be flushed. Wrong tool being used. Too much water passing through. Longer hose or larger diameter hose, than standard.
NO HEAT	Heat is not turned on. No power in the wall outlet - check to see if the breaker has tripped. No power to the heat switch - check wiring for 'opens.' No power out of heat switch. Replace switch. Call your distributor for additional help.

SPECIFICATIONS:

Rotomolded Body: Lifetime Warranty
 Vacuum: One, 3-stage
 VAC Shutoff: Ball Float
 Waterlift: 137"
 Pump: 200 PSI, positive displacement, adjustable
 Heat: 212° F, Maximum
 Heater: 2000 Watts
 Wand: Stainless steel, single bend, two tip
 Weight: 90 lbs.
 Dimensions: 18W x 38L x 34.5H (inches)